

QDS RANGE

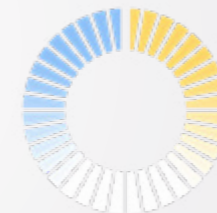
24V INTEGRATED LED DRIVERS

Designed to work with 24v RGB and RGBW LED strip: Power up to 300% more linear meters per watt; experience super smooth 16bit dimming; control RGB colour & CCT from 2300-7000k; all from the most intelligent DMX driver range on the market.



RGBW COLOUR

Colour like no other. With pioneering power balance technology, combined with all new 16bit technology and tuneable white control, our new driver is capable of producing an incomprehensible and unrivalled range of colours.



TUNEABLE WHITE

Begin with RGBW-3000k LED and adjust colour temperature from 2300-7000k directly from the driver. This can be set as your desired White in 4 channel mode, or set driver to 5ch mode for R,G,B, Tuneable White control via DMX



SMOOTH DIMMING

Experience super smooth dimming with 65,000 dimming steps from 0-100% in 16bit mode, or simulate the same dimming performance in 8bit fade mode without the need for a 16bit controller. (Standard 8bit mode available too)



POWER BALANCE MODE

Our unique power balancing technology ensures that all colours are driven equally for even output across primary, secondary and tertiary colours. Resulting in lower energy consumption, with up to 300% more linear meters driven per watt, and increased longevity.



AVAILABLE COLOURS



QUAD DRIVE S 75

CV LED DMX DRIVER

Designed to work with 60 LED per meter RGB/W SMD5050 LED

Ideal for home cinema rooms, kitchens, bars. This driver is perfect for taking care of those small projects where up to 15 meters of colour change LED strip needs powering.

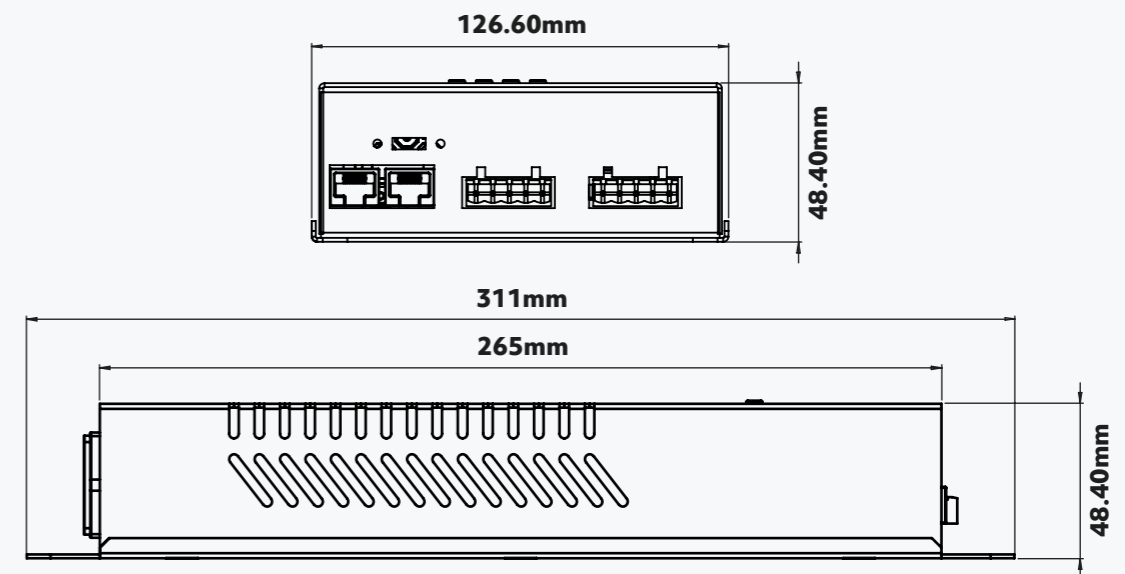
With super smooth 16bit dimming and unrivalled RGB + tuneable white control, welcome to the most advanced DMX driver technology on the market.

Product Code: QDS-75





TECHNICAL SPECIFICATIONS

- Voltage **24V**
- LED Outputs **2**
- Output Current **5A Per Channel**
- Power Consumption **75W**
- Channels **1-8Ch (RGB[W]x2)**
- Power Input Mains **110-240VAC**
- Data Connections **3 Pin XLR / RJ45**
- LED Connection **5 Pin Phoenix Connector**
- Operating Temp Range **-20° to 50°C**

DIMENSIONS



CONNECTIONS

 <p>3 Pin XLR Connect in/out for continuous data if more drivers are required.</p>	 <p>CAT5 RJ45 Alternative DMX Connect in/out for continuous data if more drivers are required.</p>	 <p>Mains IEC 110-240VAC</p>	 <p>5 Pin Phoenix Connector Connect to LED Tape, upto 7.5 Meters per output. (15M Total) PIN 1 = WHITE PIN 2 = BLUE PIN 3 = GREEN PIN 4 = RED PIN 5 = 24V +</p>
--	---	--	--



AVAILABLE COLOURS



QUAD DRIVE S 150

CV LED DMX DRIVER

Designed to work with 60 LED per meter RGB/W SMD5050 LED

With twice the power of its predecessor, start to take on multiple rooms of colour change LED strip from a single driver unit, driving up to 30 meters across up to two controllable zones.

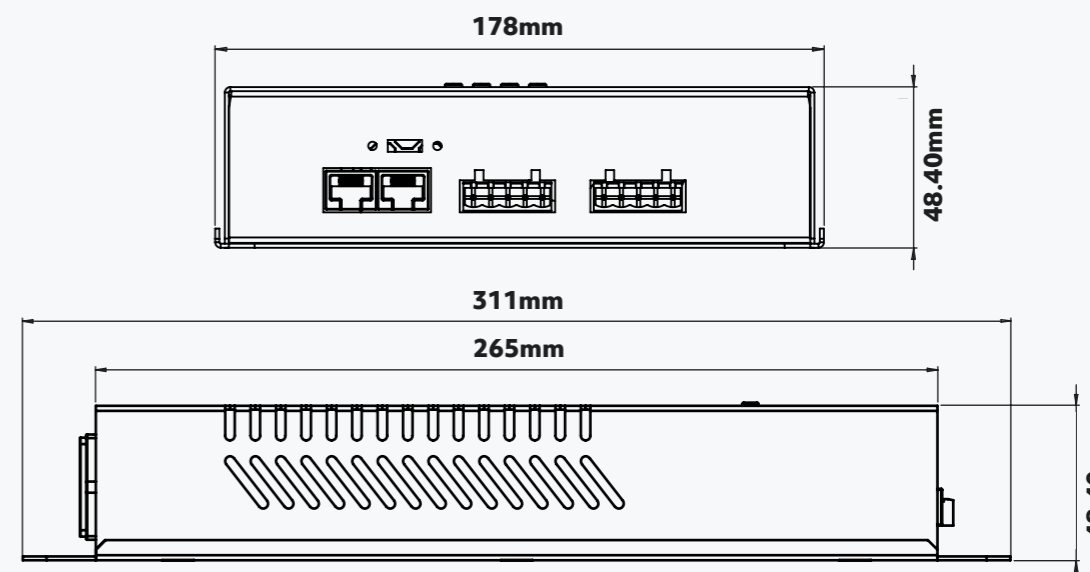
Experience lighting at its best with super smooth 16bit dimming and RGB + tuneable white control, from the most advanced DMX driver technology on the market.

Product Code: QDS-150





TECHNICAL SPECIFICATIONS

- Voltage **24V**
- LED Outputs **2**
- Output Current **5A**
- Power Consumption **150W**
- Channels **1-8Ch (RGB[W]x2)**
- Power Input Mains **110-240VAC**
- Data Connections **3 Pin XLR / RJ45**
- LED Connection **5 Pin Phoenix Connector**
- Operating Temp Range **-20° to 50°C**

DIMENSIONS

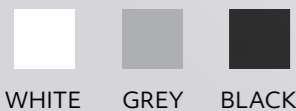


CONNECTIONS

 <p>3 Pin XLR Connect in/out for continuous data if more drivers are required.</p>	 <p>CAT5 RJ45 Alternative DMX Connect in/out for continuous data if more drivers are required.</p>	 <p>Mains IEC 110-240VAC</p>	 <p>5 Pin Phoenix Connector Connect to LED Tape, upto 15 Meters per output. (30M Total) PIN 1 = WHITE PIN 2 = BLUE PIN 3 = GREEN PIN 4 = RED PIN 5 = 24V +</p>
--	---	--	---



AVAILABLE COLOURS



QUAD DRIVE S 320

CV LED DMX DRIVER

Designed to work with 60 LED per meter RGB/W SMD5050 LED

Make medium sized installations simple. With up to four zones of control and up to 60M of colour change LED strip all powered from one intelligent box.

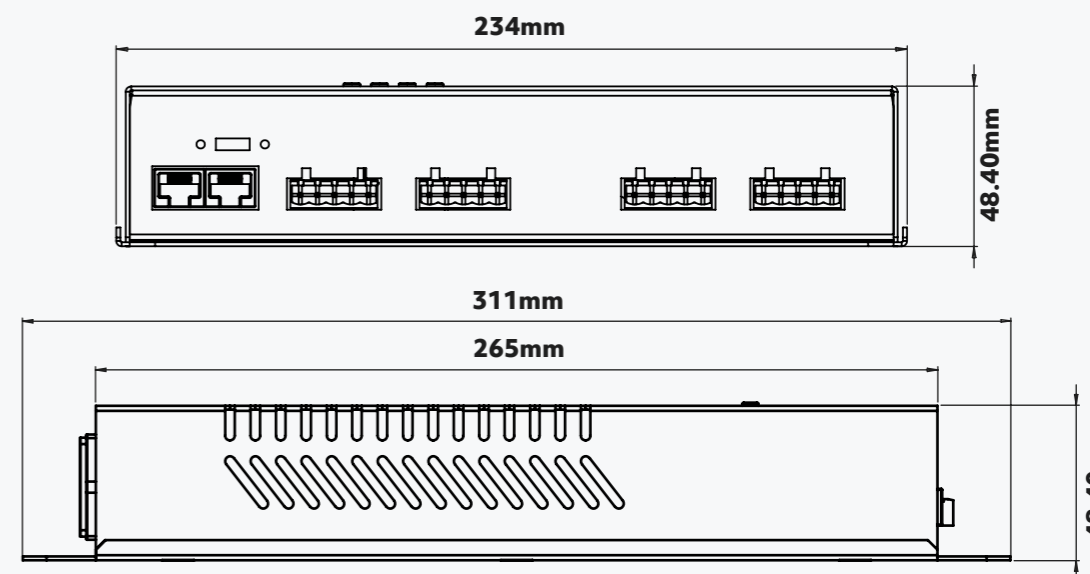
A premium quality product, with super smooth 16bit dimming and unrivalled RGB + tuneable white control, this is the most advanced DMX driver technology on the market.

Product Code: QDS-320





TECHNICAL SPECIFICATIONS

- Voltage **24V**
- LED Outputs **4**
- Output Current **5A**
- Power Consumption **320W**
- Channels **1-16Ch (RGB[W]x4)**
- Power Input Mains **110-240VAC**
- Data Connections **3 Pin XLR / RJ45**
- LED Connection **5 Pin Phoenix Connector**
- Operating Temp Range **-20° to 50°C**

DIMENSIONS



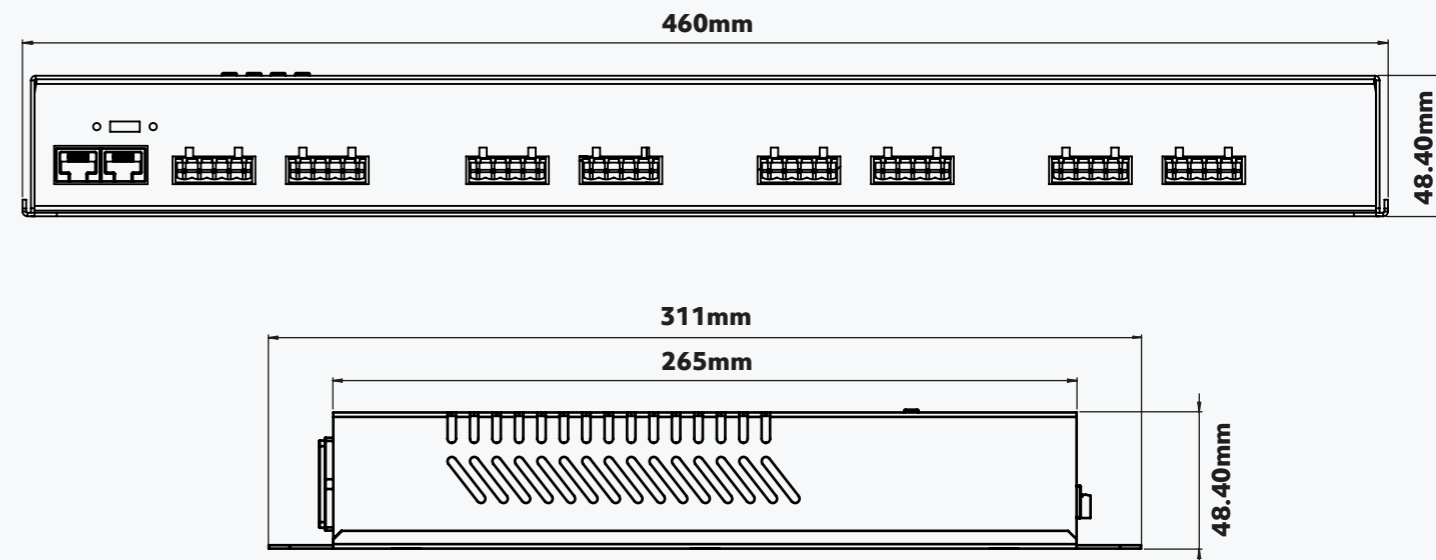
CONNECTIONS

 <p>3 Pin XLR Connect in/out for continuous data if more drivers are required.</p>	 <p>CAT5 RJ45 Alternative DMX Connect in/out for continuous data if more drivers are required.</p>	 <p>Mains IEC 110-240VAC</p>	 <p>5 Pin Phoenix Connector Connect to LED Tape, upto 15 Meters per output. (60M Total) PIN 1 = WHITE PIN 2 = BLUE PIN 3 = GREEN PIN 4 = RED PIN 5 = 24V +</p>
--	---	--	---

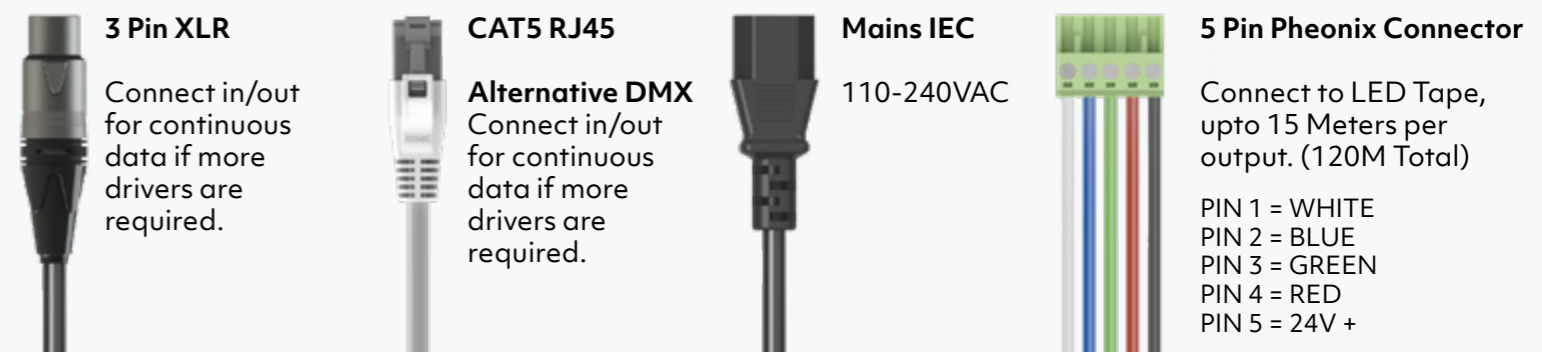
TECHNICAL SPECIFICATIONS

- Voltage **24V**
- LED Outputs **8**
- Output Current **5A**
- Power Consumption **640W**
- Channels **1-32Ch (RGB[W]x8)**
- Power Input Mains **110-240VAC**
- Data Connections **3 Pin XLR / RJ45**
- LED Connection **5 Pin Pheonix Connector**
- Operating Temp Range **-20° to 50°C**

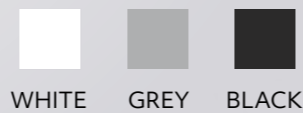
DIMENSIONS



CONNECTIONS



AVAILABLE COLOURS



QUAD DRIVE S 640

CV LED DMX DRIVER

Designed to work with 60 LED per meter RGB/W SMD5050 LED

For those larger installations, power upto eight zones of control and up to 120M of colour change LED strip all taken care of from one powerhouse of quality driving technology.

A premium product with super smooth 16bit dimming and unrivalled RGB + tuneable white control, ready to make light work of big projects.

Product Code: QDS-640