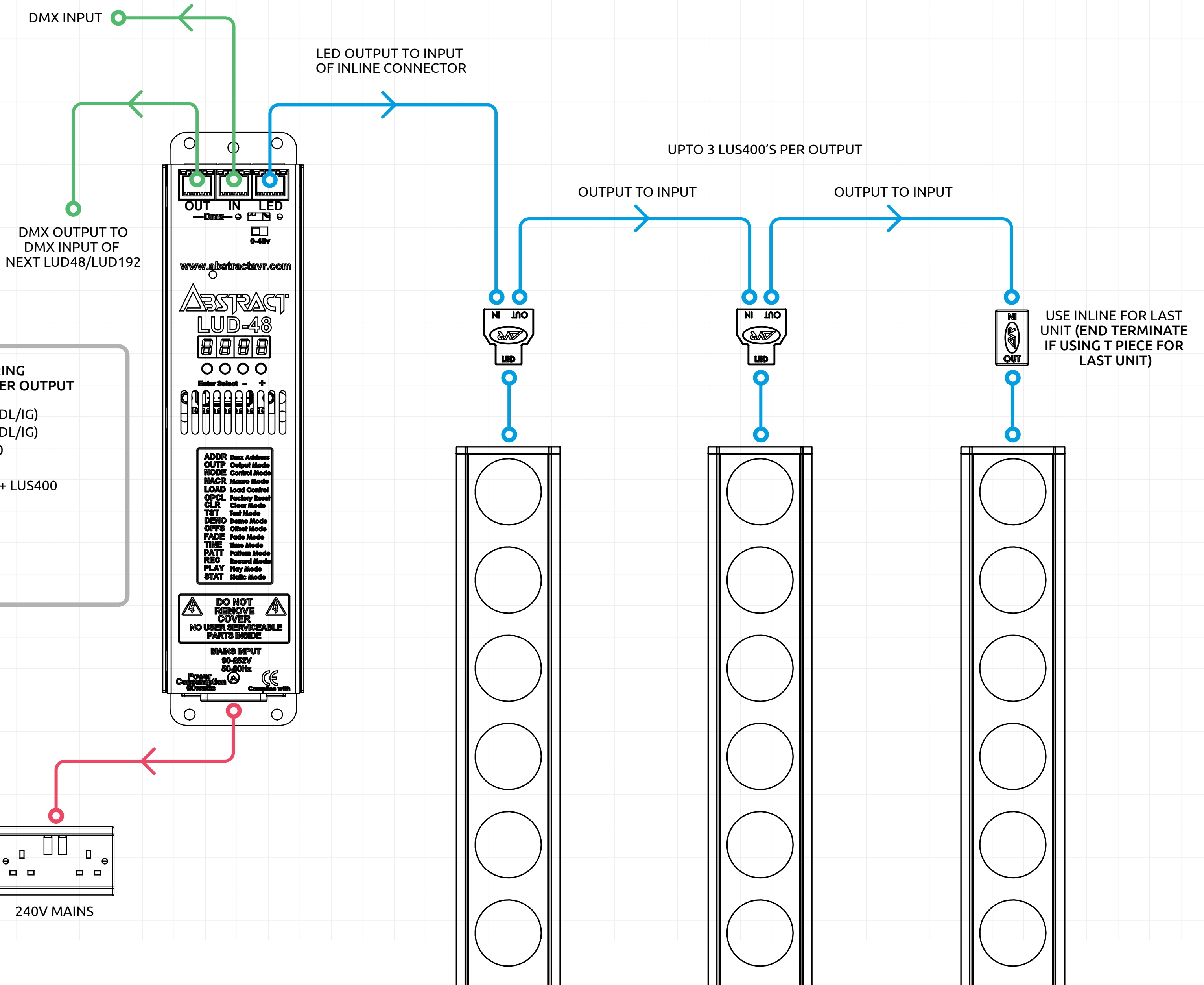
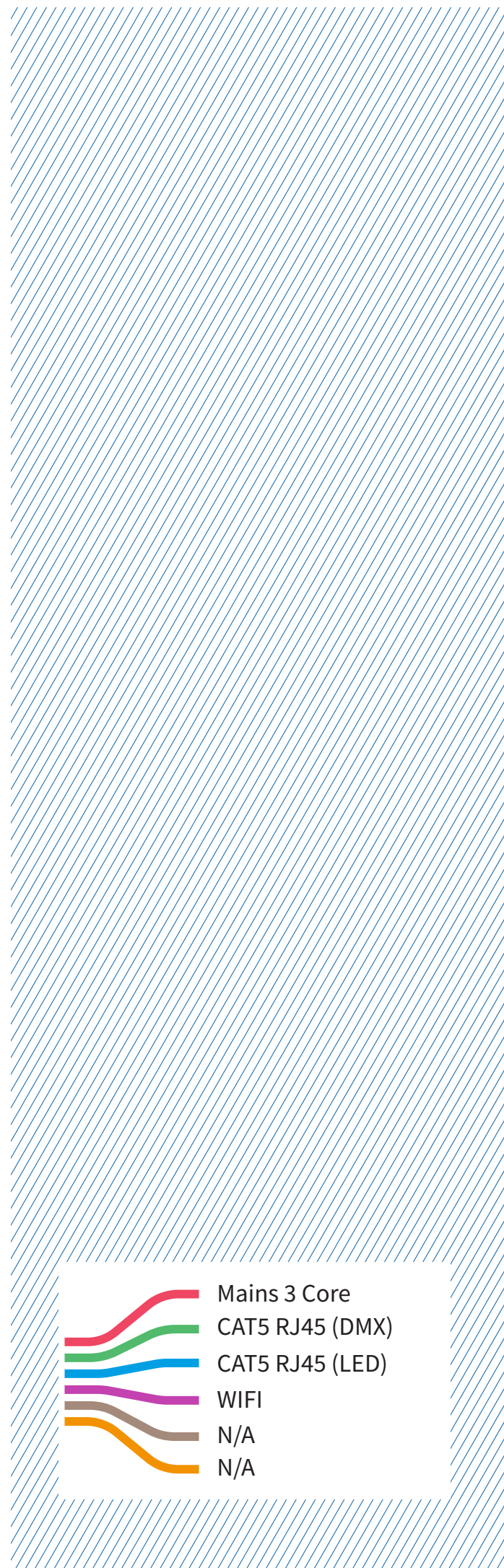




Example Schematic LUS 400 LED STRIP



- OTHER WIRING
OPTIONS PER OUTPUT**
- 12 X CS4'S (DL/IG)
 - 3 X CS16'S (DL/IG)
 - 1 X LUS1200
 - 1 X LUS800
 - 1 X LUS800 + LUS400
 - 3 X LUS400
 - 1 X SL12/R
 - 1 X SL8/R
 - 3 X SL4
 - 48 X CS1'S

- Mains 3 Core
- CAT5 RJ45 (DMX)
- CAT5 RJ45 (LED)
- WIFI
- N/A
- N/A

ADDR	Dmx Address
OUTP	Output Mode
MODE	Control Mode
MACR	Macro Mode
LOAD	Load Control
OPCL	Factory Reset
CLR	Clear Mode
TST	Test Mode
DENO	Demo Mode
OFFS	Offset Mode
FADE	Fade Mode
TIME	Time Mode
PATT	Pattern Mode
RECS	Record Mode
PLAY	Play Mode
STAT	Static Mode

DO NOT REMOVE COVER
NO USER SERVICEABLE PARTS INSIDE

MAINS INPUT
90-252V
50-60Hz

Power Consumption
Complies with