

LED DOWNLIGHTS

Professional architectural downlights, for when quality and reliability is a must. Beautifully designed with both performance and longevity in mind, this is a downlight range which brings both excitement and peace of mind.





COLOUR SOURCE 4 CC LED DOWNLIGHT

The Colour Source 4 sets the bar for lighting excellence, with a high performance mix-at-source multi-chip LED housed in a precision engineered anodised aluminium housing.

The lighting professionals' downlight of choice.

Compatible With : LUD 48 , LUD 192

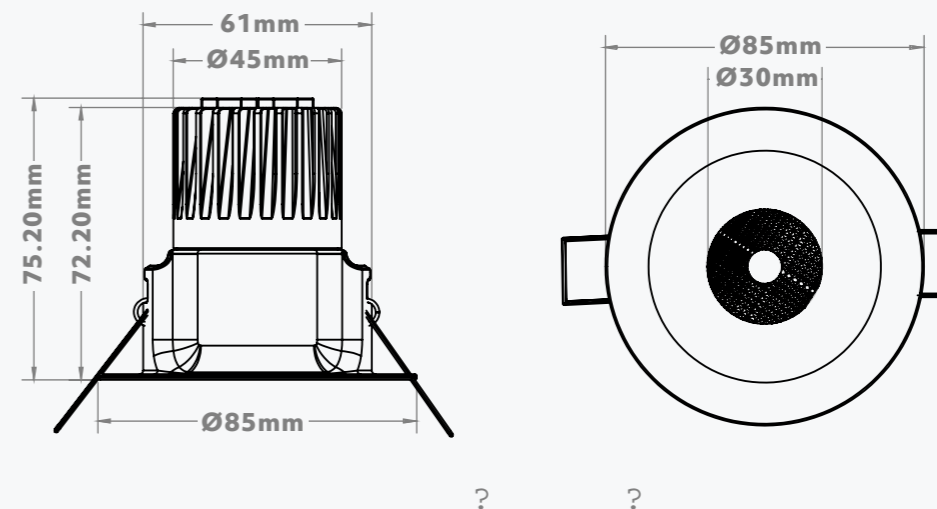
TECHNICAL SPECIFICATIONS

- Channels **4Ch**
- Wattage **4.8W**
- Input Current **350mA**
- IP Rating **IP20**
- LED Type **RGBW**
- Housing Cut Out **68mmØ (2.11/16")**
- Lens Options **15°/25°/40°**
- LED Connection **RJ45**
- Lumen Output **280lm [RGBW]**
- Operating Temp Range **-20 to 50 °C**

CONNECTIONS

CAT5 RJ45 Cables will be required for this product.

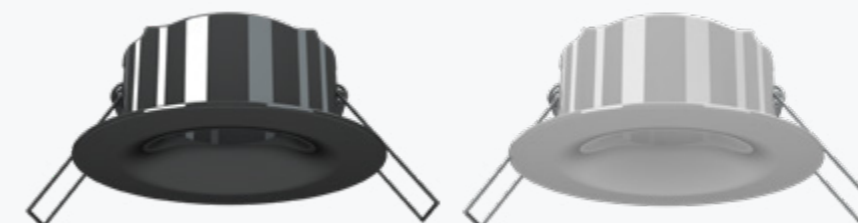
DIMENSIONS

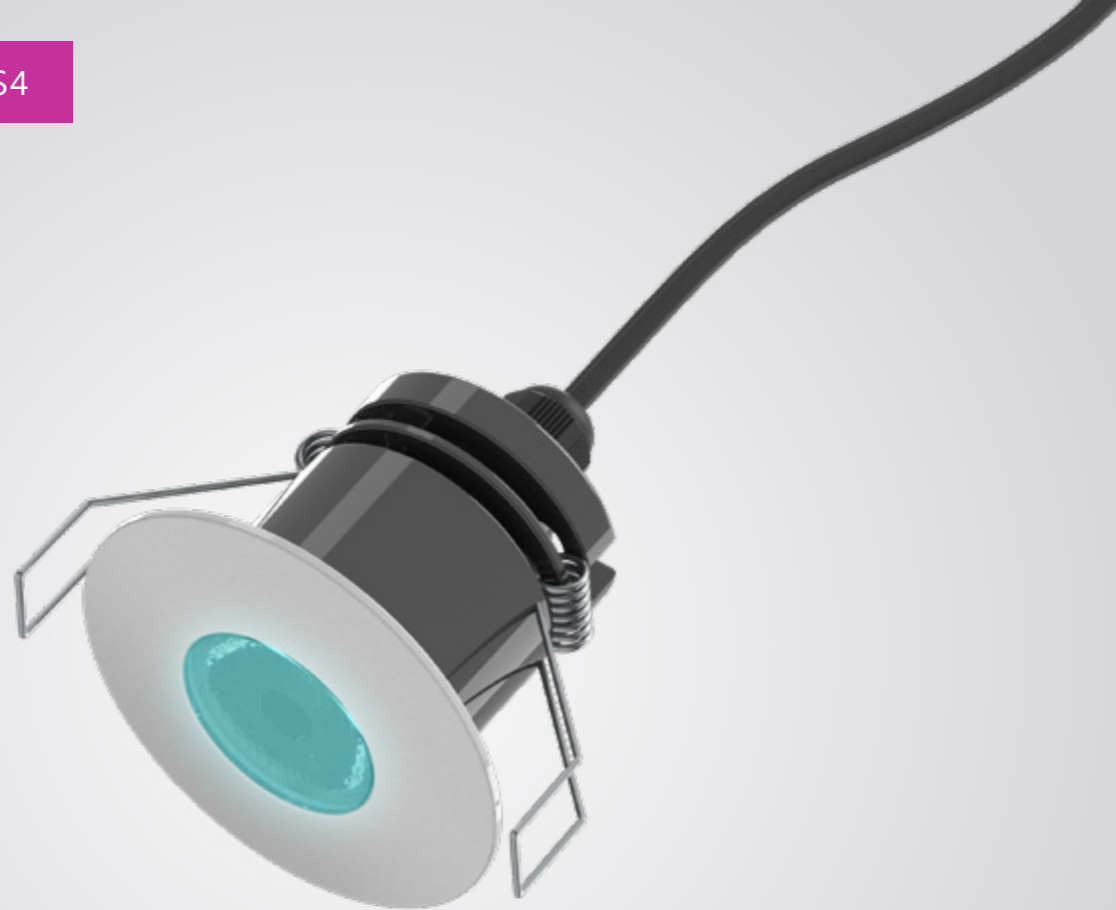


OPTIONAL STATIC GIMBAL HOUSING

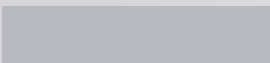
BLACK

GLOSS WHITE





AVAILABLE COLOURS



316 STAINLESS STEEL

IP67 COLOUR SOURCE 4

CC LED DOWNLIGHT

The Colour Source 4 sets the bar for lighting excellence, with a high performance mix-at-source multi-chip LED housed in a precision engineered anodised aluminium housing and 316 Stainless Steel bezel, perfect for exterior applications.

The lighting professionals' downlight of choice.

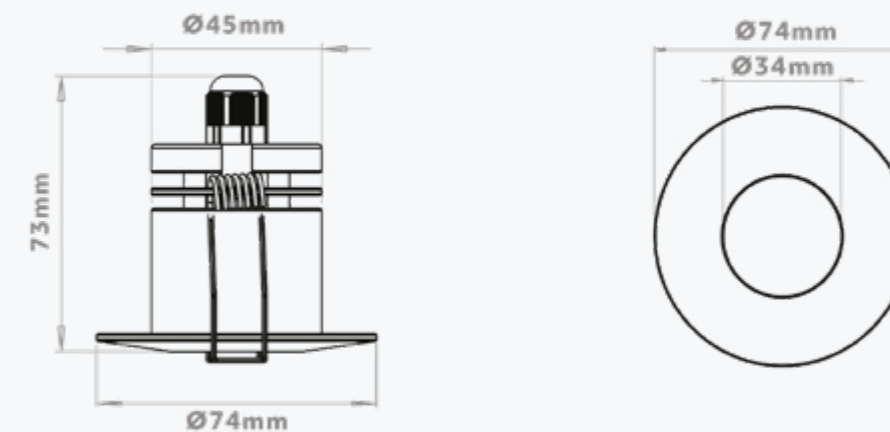
Product Code: CS4-DL-IP- RGBW / RGBA

Compatible With : LUD 48 , LUD 192

TECHNICAL SPECIFICATIONS

- Channels **4Ch**
- Wattage **4.8W**
- Input Current **350mA**
- IP Rating **IP67**
- LED Type **RGBW**
- Housing Cut Out **45mmØ**
- Lens Options **15°/25°/40°**
- LED Connection **RJ45**
- Lumen Output **284lm [RGBW] / 227lm [RGBA]**
- Operating Temp Range **-20 to 50 °C**

DIMENSIONS



OPTIONAL LENSES



- Our lens options are:
- 15° : Narrow Beam Angle**
 - 25° : Medium Beam Angle**
 - 40° : Wide Beam Angle**



AVAILABLE COLOURS



COLOUR SOURCE 16

CC LED DOWNLIGHT

The Colour Source 16 is our most powerful downlight, with four high performance mix-at-source multi-chip LEDs, providing a homogeneous and powerful wash of colour.

Product Code: CS16-DL- RGBW / RGBA

Compatible With : LUD 48 , LUD 192

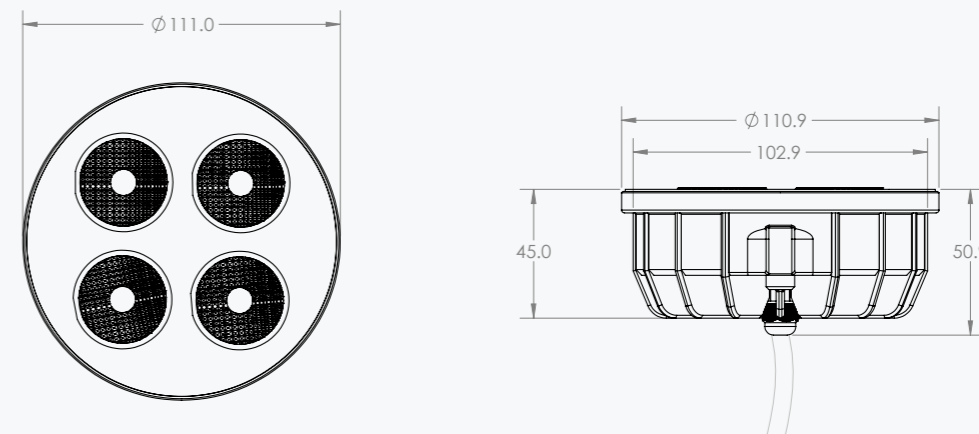
TECHNICAL SPECIFICATIONS

Channels **4Ch**
Wattage **19.2W**
Input Current **350mA**
IP Rating **IP50**
LED Type **RGBW**
Housing Cut Out **160mmØ**
Lens Options **15°/25°/40°**
LED Connection **RJ45**
Lumen Output **1,136lm [RGBW] / 908lm [RGBA]**
Operating Temp Range **-20 to 50 °C**

OPTIONAL ACCESSORIES

T-Piece Connector **RJ45**
Gimbal **Tilttable**

DIMENSIONS



OPTIONAL TILTABLE GIMBAL HOUSING

GLOSS WHITE





AVAILABLE COLOURS



IP67 COLOUR SOURCE 16

CC LED DOWNLIGHT

The Colour Source 16 is our most powerful downlight, with four high performance mix-at-source multi-chip LEDs, providing a homogeneous and powerful wash of colour, and now with IP67 protection for wet environments.

Product Code: CS16-DL-IP- RGBW / RGBA

Compatible With : LUD 48 , LUD 192

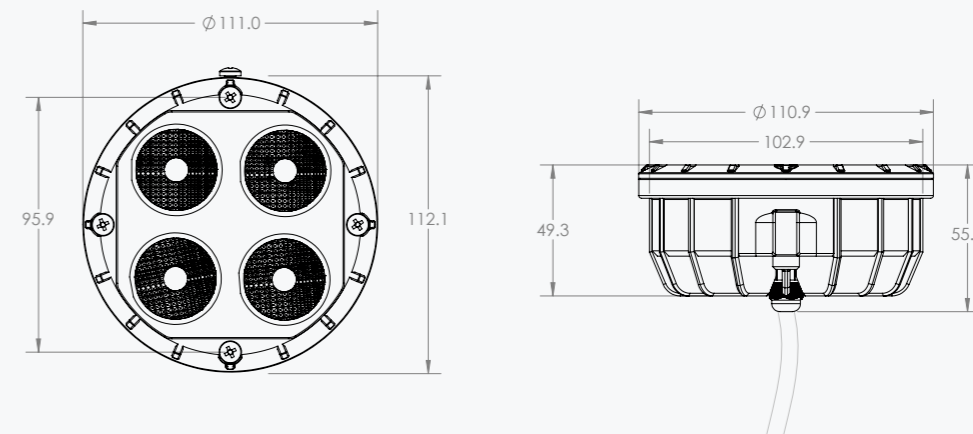
TECHNICAL SPECIFICATIONS

Channels **4Ch**
 Wattage **19.2W**
 Input Current **350mA**
 IP Rating **IP67**
 LED Type **RGBW**
 Housing Cut Out **160mmØ**
 Lens Options **15°/25°/40°**
 LED Connection **RJ45**
 Lumen Output **1,136lm [RGBW] / 908lm [RGBA]**
 Operating Temp Range **-20 to 50 °C**

OPTIONAL ACCESSORIES

T-Piece Connector **RJ45**
 Gimbal **Tilttable**

DIMENSIONS



OPTIONAL WALL BRACKET

