



# COLOUR SOURCE 4 CC LED DOWNLIGHT

The Colour Source 4 sets the bar for lighting excellence, with a high performance mix-at-source multi-chip LED housed in a precision engineered anodised aluminium housing.

The lighting professionals' downlight of choice.

Compatible With : LUD 48 , LUD 192

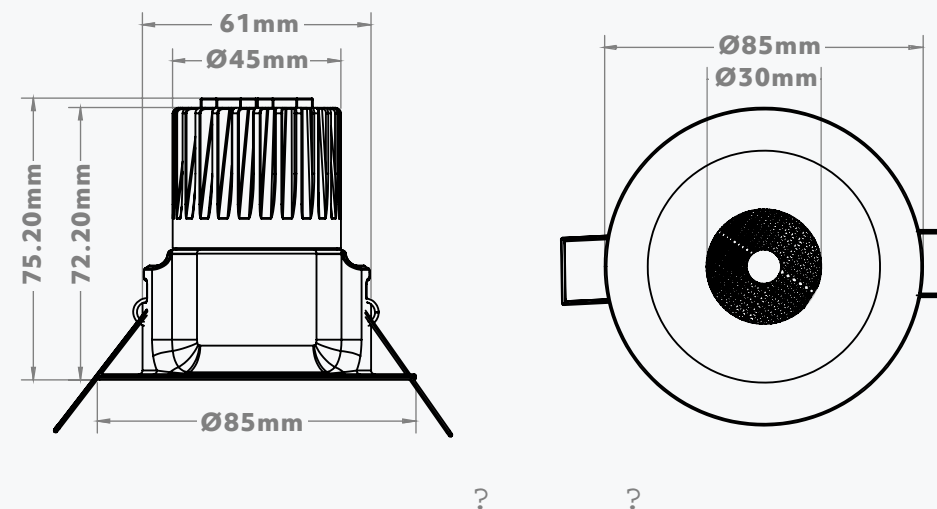
## TECHNICAL SPECIFICATIONS

- Channels **4Ch**
- Wattage **4.8W**
- Input Current **350mA**
- IP Rating **IP20**
- LED Type **RGBW**
- Housing Cut Out **68mmØ (2.11/16")**
- Lens Options **15°/25°/40°**
- LED Connection **RJ45**
- Lumen Output **280lm [RGBW]**
- Operating Temp Range **-20 to 50 °C**

## CONNECTIONS

CAT5 RJ45 Cables will be required for this product.

## DIMENSIONS



## OPTIONAL STATIC GIMBAL HOUSING

BLACK

GLOSS WHITE

