

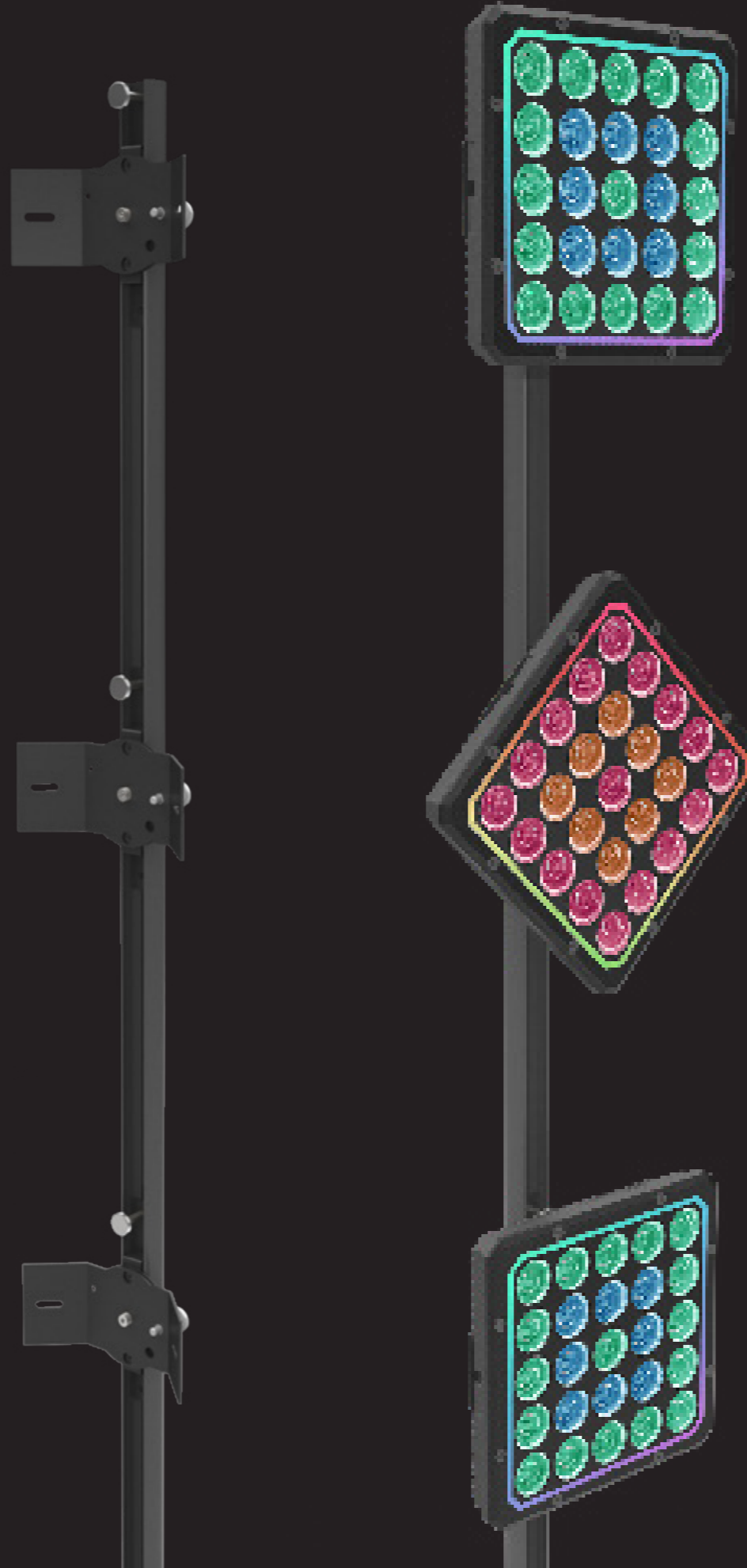
# ABSTRACT

## SHOW LIGHTING

CANDI BAR  
CANDI BLOX  
XLITE PRO  
XDRIVE LITE 4



# CANDI BAR





# CANDI BAR

## FLEXIBLE MOUNT OPTIONS

The Candi Blox has been designed to offer a variety of mounting options. Here you see, as a 6 way option (Candi Bar) on a 2m stand-alone pole.

As well as a dynamic array of 45 LED's, the overall height give you a greater visual and light projection experience.

This option is adequately suited for stage, TV, bars, clubs and the mobile DJ.

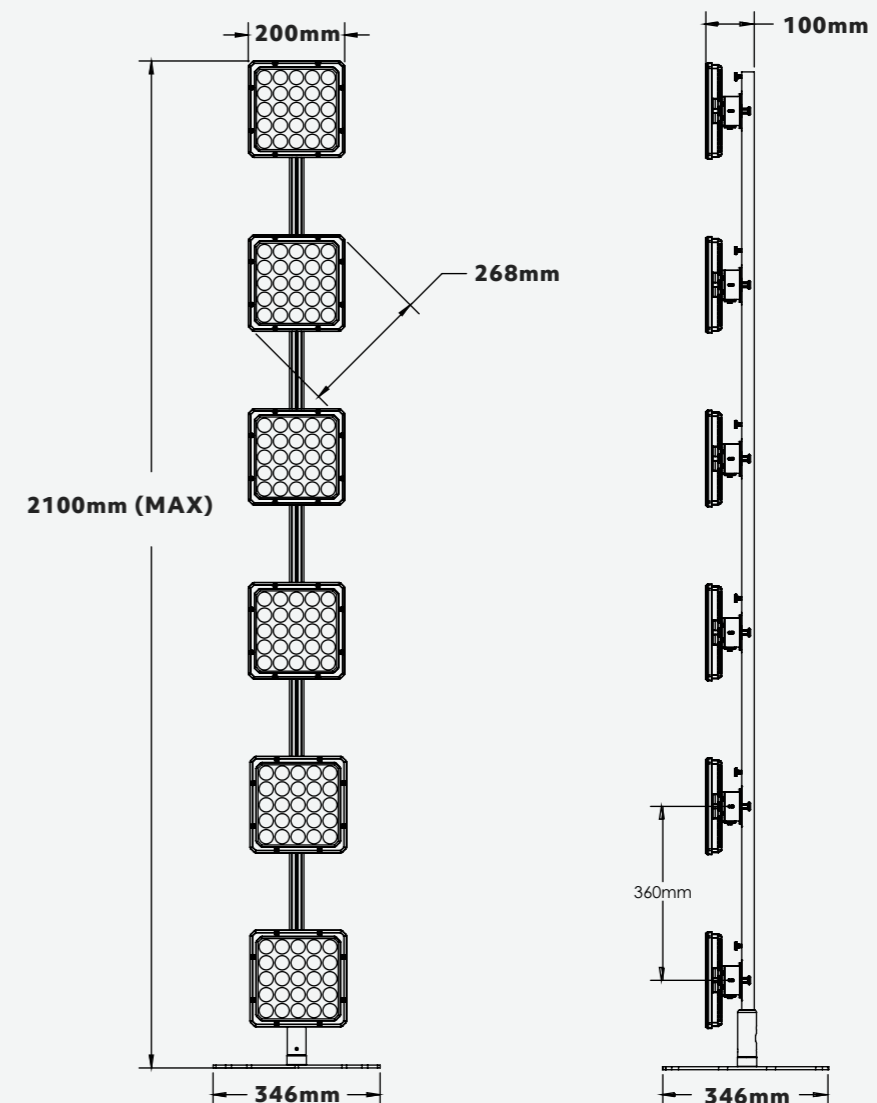
**Product Code: CANDIBAR**

**Compatible With : XDRIVE 4 LITE, XDRIVE 4 PRO**

## TECHNICAL SPECIFICATIONS

Voltage **5V**  
 LED's **45 X 6 (270)**  
 Wattage **15W M**  
 LED Connection **4 PIN XLR**  
 Channels **Pixel Controlled**  
 Lumens **326lm x 6 (1956lm)**  
 LED Type **RGBW**  
 IP Rating **IP20**  
 Lens Options **10 / 15 / 40 Degree, Opal Diffused**  
 Weight **16kg**  
 Operating Temp Range **-10 to 50C**

## DIMENSIONS





# CANDI BLOX

Compact, captivating, creative, choice.



# CANDI BLOX

## ALL-ROUND LIGHT FROM A BLOX

The Candi Blox provides a compact and elegant 'eye candy' LED lighting system, featuring a central array of LED's surrounded by an edge halo effect. High performance mix-at-source multi-chip LED. Manufactured in a precision engineered housing.

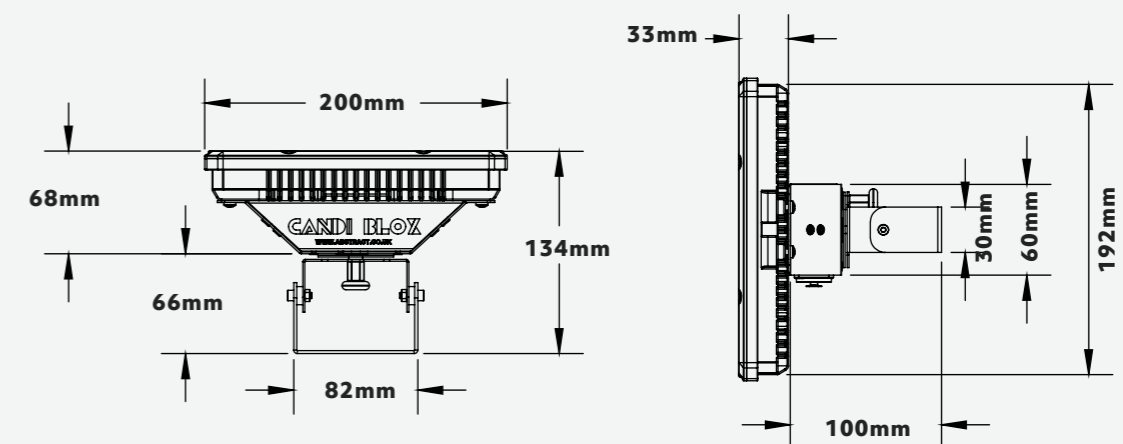
**Product Code: CANDIBLOX**

**Compatible With : XDRIVE 4 LITE, XDRIVE 4 PRO**

## TECHNICAL SPECIFICATIONS

Voltage **5V**  
 LED's **45**  
 Wattage **15W (MAX)**  
 LED Connection **4 PIN XLR**  
 Channels **Pixel Controlled**  
 Lumens **326lm**  
 LED Type **RGBW**  
 IP Rating **IP20**  
 Lens Options **10 / 15 / 40 Degree, Opal Diffused**  
 Weight **1.5kg**  
 Operating Temp Range **-10 to 50C**

## DIMENSIONS



## MOUNTING OPTIONS

### Surface Mount

180 Degree Tilt  
 45 Degree Pan



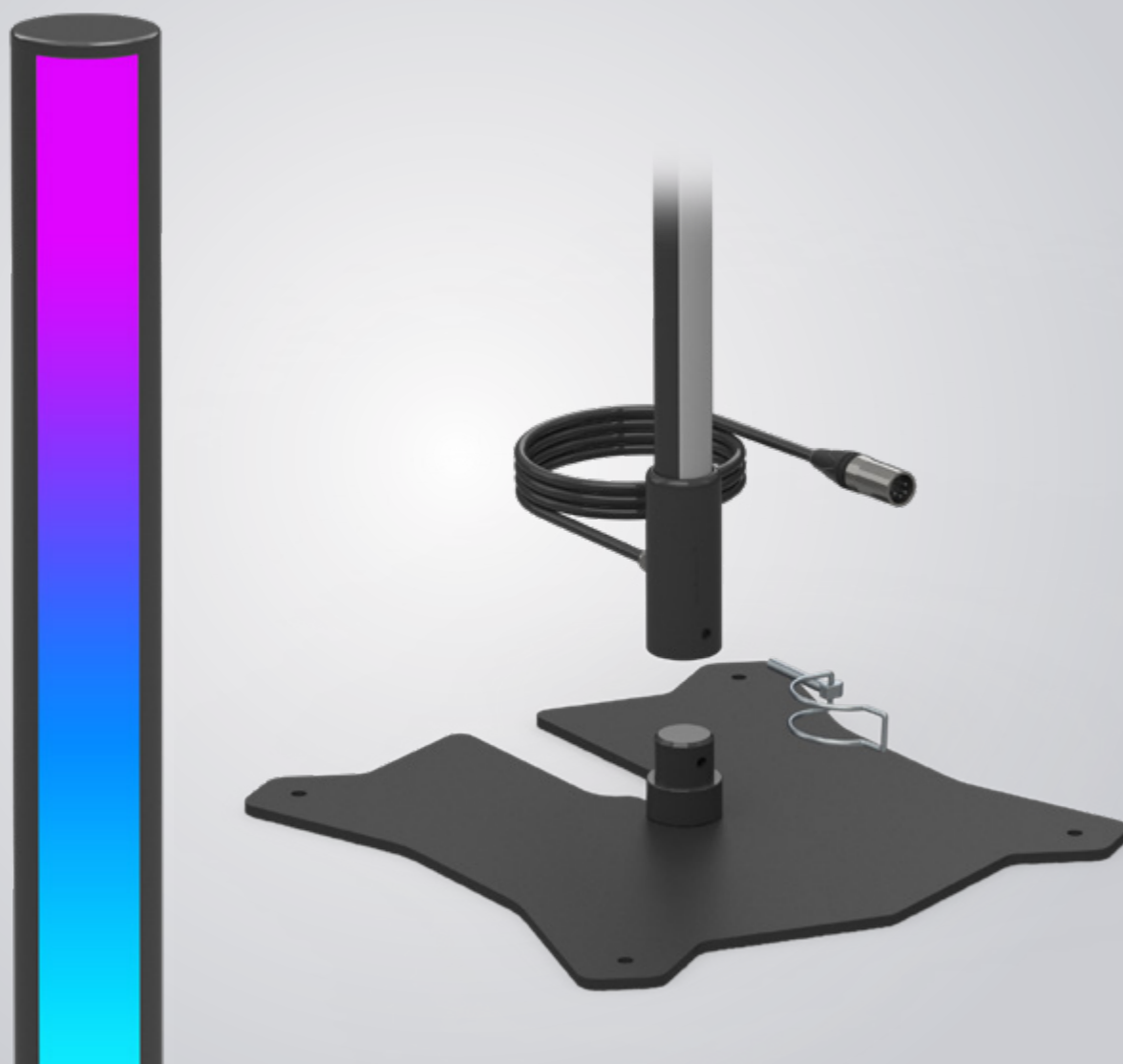
### Truss Mount





# XLITE PRO

Peripheral light from a great height.



# XLITE PRO

## XLITE PRO Freestanding Pole 2M

The XLite sets the bar for lighting excellence, with a high performance mix-at-source multi-chip LED housed in a precision engineered anodised aluminium housing.

The lighting enthusiasts freestanding pole of choice.

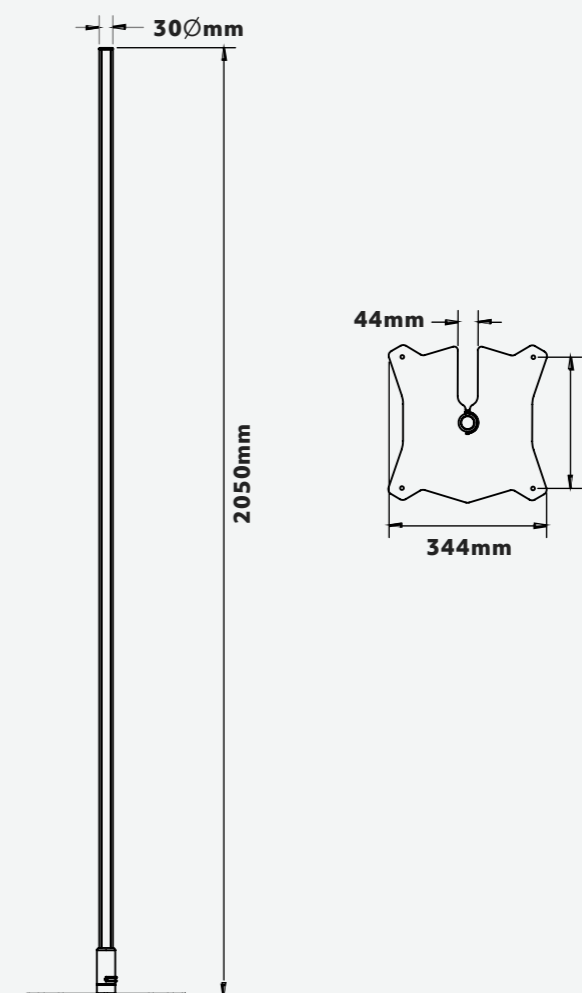
**Product Code: XLITEPRO**

**Compatible With : XDRIVE 4 LITE, XDRIVE 4 PRO**

### TECHNICAL SPECIFICATIONS

- Channels **Pixel controlled**
- Wattage **30W**
- Input Current Constant Voltage **5V**
- IP Rating **IP20**
- LED Type **RGBW**
- Housing **35mm**
- Lens Options **160° Frost**
- LED Connection **4 PIN XLR**
- Lumen Output **300lm**
- Operating Temp Range **-20 to 50 °C**
- Height **2000mm**
- LED lite length **1950mm**
- LED Pitch **14.2mm**

### DIMENSIONS





ENABLED



S2L

# XDRIVE XDRIVE LITE 4

Take control of your environment.



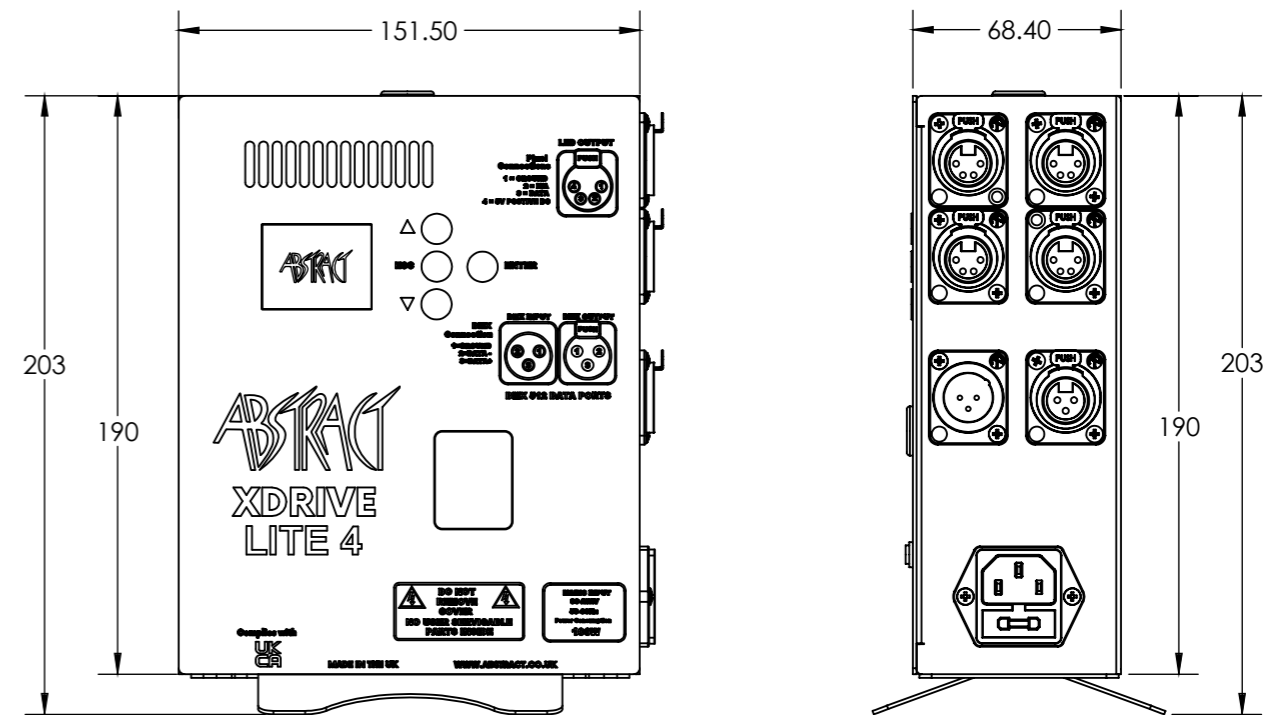


Enhanced **sound**  
to **light** feature

## TECHNICAL SPECIFICATIONS

- Voltage **5V**
- LED Outputs **4**
- Output Current **5A**
- Power Consumption **100W**
- Channels **36Ch Show Mode, 512 Pixel Map**
- Power Input **Mains 110-240VAC**
- Data Connections **3 Pin XLR**
- LED Connection **4 Pin XLR**
- Mounting **Free Standing / Truss Mount**
- Operating Temp Range **-20° to 50°C**

## DIMENSIONS



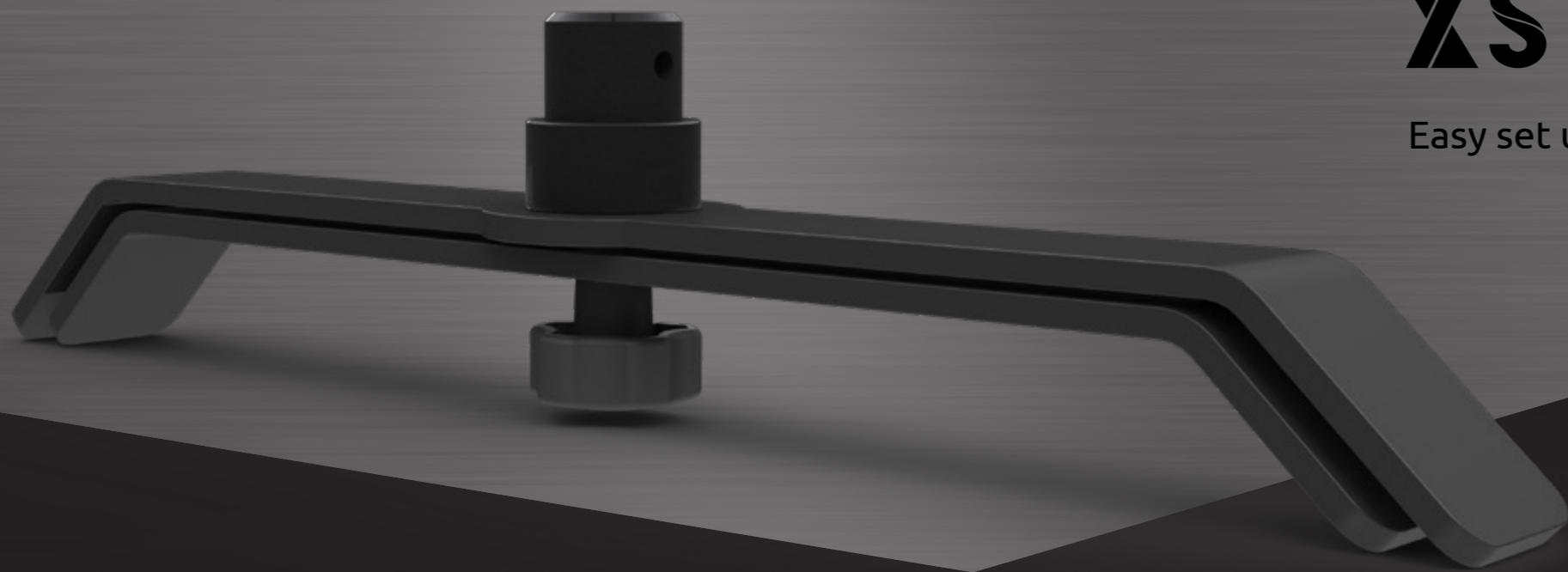
# XDRIVE LITE 4

## 4 Output Free Standing/Truss Mount Driver

The XDRIVE LITE 4 drives further into the realms of dazzling receptive lighting effects. Using the latest Abstract PTPP Technology, it enhances the creation of movement and tempo from a static object.

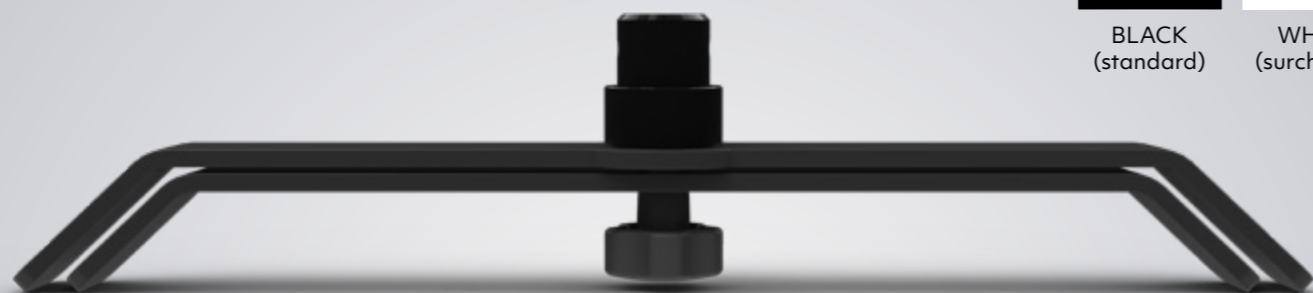
Product Code: XDL-4

Compatible With : Candi Bar, Candi Blox, Xlite Pro

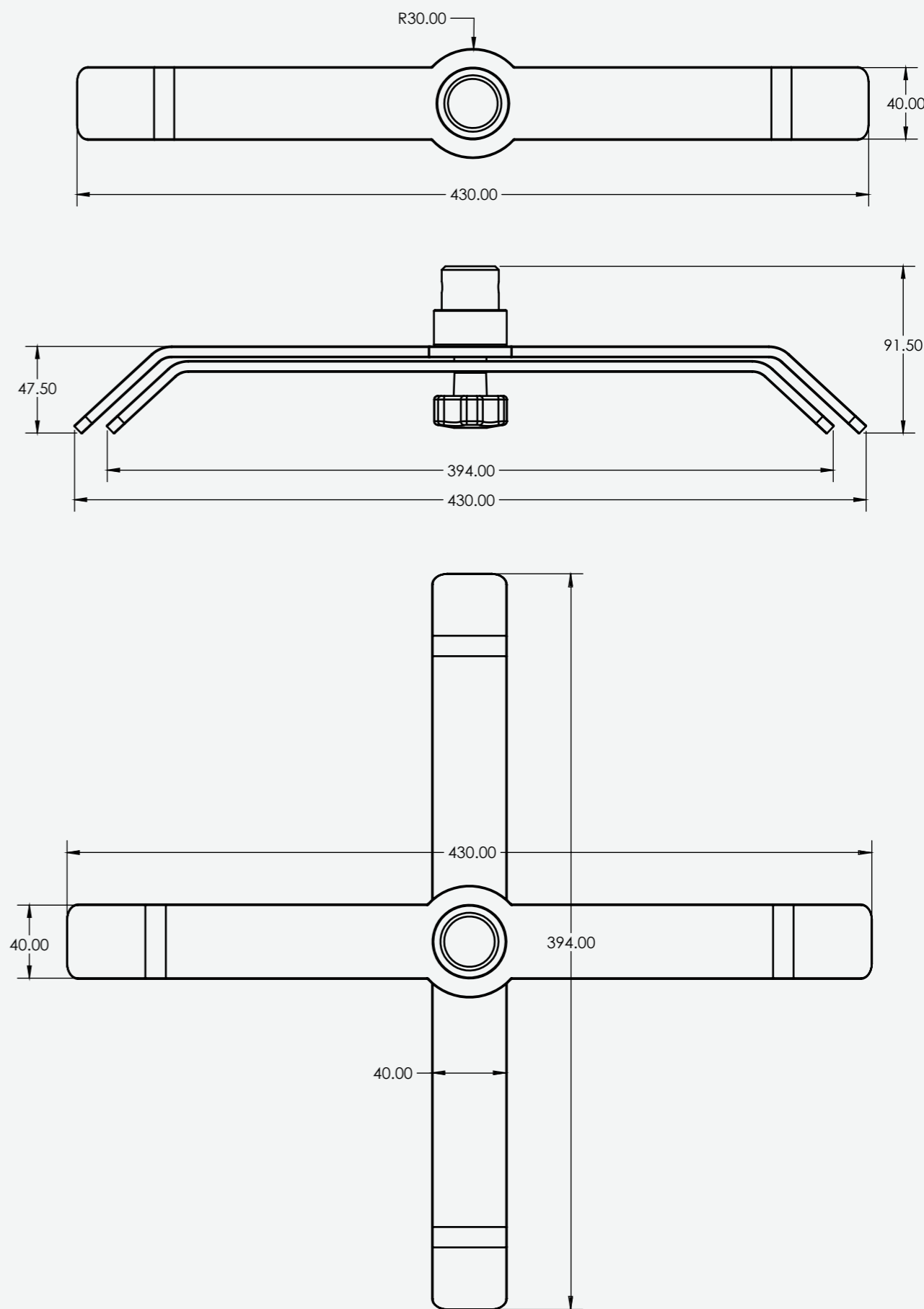


**XSTAND** XLITE PRO

Easy set up anywhere you go.



DIMENSIONS



# XSTAND

XSTAND quick set up for the XLITE PRO.

The XLite sets the bar for lighting excellence, with a high performance mix-at-source multi-chip LED housed in a precision engineered anodised aluminium housing.

The lighting enthusiasts freestanding pole of choice.

**Product Code: XSTAND**

**Compatible With : XLITE PRO**